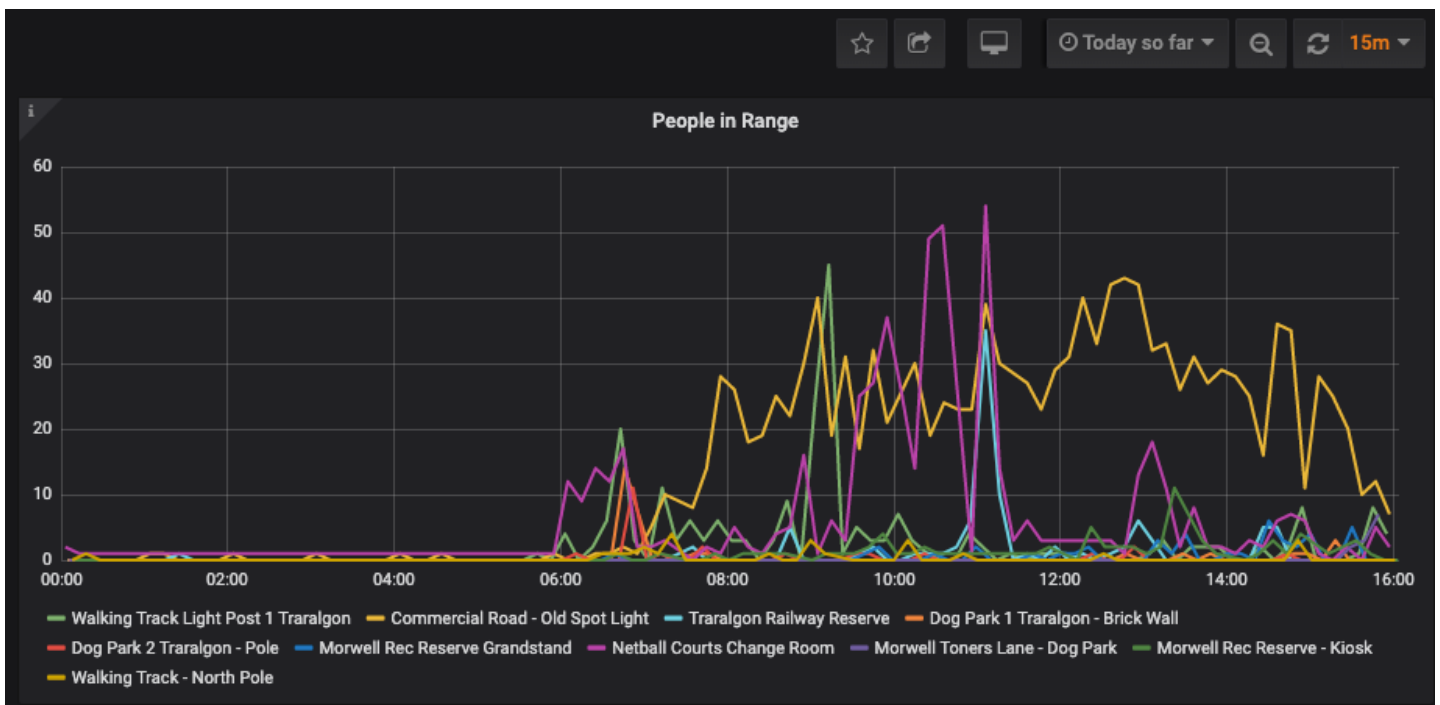


Description

Meshed nCounter is a people counting solution designed to provide a close approximate count of the number of people in a given area. It achieves this by anonymously counting the number of WiFi enabled devices within a user definable range. Data is transmitted in 10 minute segments & reports over a secure LoRaWAN® connection to the nCounter platform where the data is visualized. An annual subscription for platform, dashboard, data access & storage applies. Meshed nCounter devices require LoRaWAN coverage. LoRaWAN coverage can be created easily for a nominal additional cost if none exists at your location.

Applications	Data Metrics
<ul style="list-style-type: none"> - 24/7 People counting insights for - Parks & Playgrounds - Sidewalks/Walking Trails - Cycle Trails/Bike Ways/Paths - Malls & Shopping Precincts - Commercial/Central Business Districts - Town Hall/Libraries/Community Halls - Smart Precincts & Digital Hubs - Events Festivals - Sports Fields/Recreation areas - Public Amenities - Tourism Hotspots - Entertainment Districts - Train Stations - Bus Stops - & More 	<ul style="list-style-type: none"> - Number of Devices: <ul style="list-style-type: none"> o Total - Total in range in this period (i.e. current + new) o New - Detected in this period who were not here in the previous period. o Current - Still in range from previous period. o Left - That have left in this period. - Dwell Times per Hour, Day, Month, Year - Specify Your Own Time Periods - Average Dwell Times

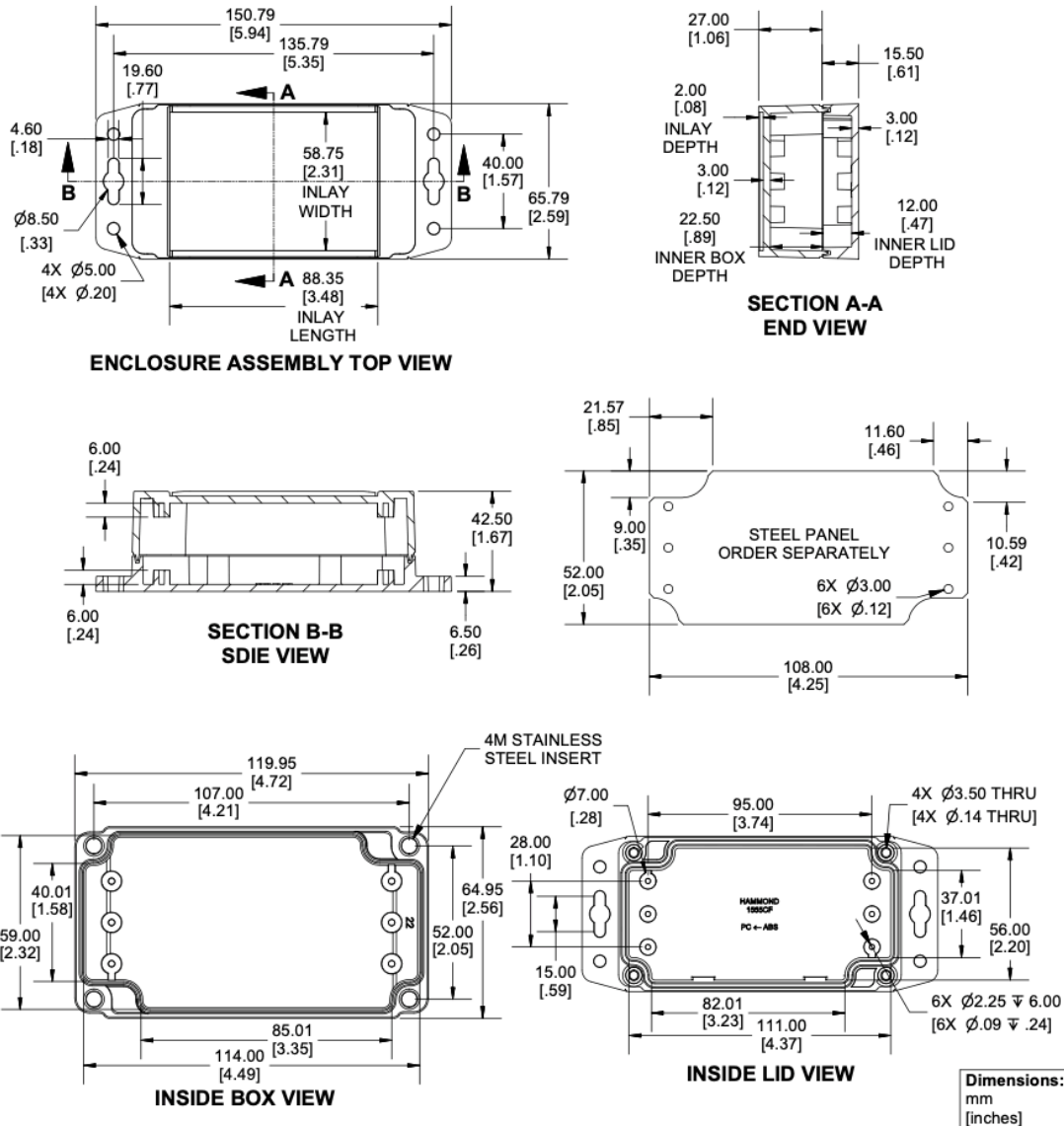
Visualization Dashboard



Key Functionality	
Limits	<ul style="list-style-type: none"> – Maximum cell phones counting limit per 10-minute period: 300 – Maximum Wi-Fi range: Approximately up to 164 feet (50 metres). Typical range of any personal electronics with Wi-Fi. The range can be user definable. – Default Wi-Fi range: Around 66 feet (20 meters) Can be increased or decreased by setting Wi-Fi RSSI Threshold remotely (contact Meshed Support). – LoRaWAN® range: Up to 10 miles (16 kms) in flat/rural areas, down to 1–2 miles (1.6 to 3kms) in dense urban areas. Typical range for any LoRaWAN®. Physical limitations include terrain, hard obstacles e.g. concrete/buildings & position of LoRaWAN® gateway.
Range	<p>The people counting range can be changed from less than 3.28 feet (1 metre) all the way up to the maximum range of the Wi-Fi module. Things to consider:</p> <ul style="list-style-type: none"> – Accuracy: There is a trade-off between range, accuracy and the speed at which people pass through the area. Too small ranges with fast traffic will yield low accuracy (under-counting). – Maximum limit: If the range is too large, the maximum counting limit maybe reached. Also, if there are more than approx. 300 present per 10 minute segment.
Location	<ul style="list-style-type: none"> – When an nCounter device is powered up, the nCounter platform will attempt to locate the device & place it on the map. If there are no (or few) Wi-Fi networks nearby, its location may be inaccurate or unavailable. The device position can be manually entered if necessary.
API	<ul style="list-style-type: none"> – Data can be pushed to other platforms in most instances using a REST API call, specifically a HTTP POST.
Privacy	<ul style="list-style-type: none"> – Only the aggregated device count data is transmitted over LoRaWAN & never any information that can identify an individual mobile WiFi device, cell phone or its owner. – The nCounter LoRaWAN node device has no external interface, other than a power connector, & no data can be read directly from the device. The device can only communicate over secure LoRaWAN.
Conditions of Use	<ul style="list-style-type: none"> – Meshed offers the nCounter Solution including devices, platform & maintenance subscription using a “licence to use” arrangement. – Customers own the hardware and data & can extract/export their data for internal purposes. However, as the licensor of the solution, Meshed should be attributed if/when nCounter data and insights are re-used and/or published to online public websites including news media, professional journals, public digital twins or public third party platforms. – Meshed reserves the right to use the data for its own marketing, product development or commercial purposes.

Product Specifications	
Dimensions	151(W) x 66(D) x 42(H)mm 
Weight	160 gm
Power requirements	5-16 VDC, <300mA (Solar powered optional)
IP Rating	IP67 for nCounter device. USB Power Supply not IP rated
Operating Temperature	-40 °C to +85 °C (-40 °F to +185 °F)
Regional Parameters	LoRaWAN Band Plans AU915, AS923, US915
LoRaWAN Device Type	Class C
Wireless Technology	LoRaWAN® v1.0.4
	LoRaWAN® is a mark used under license from the LoRa Alliance®.

nCounter Device Dimensions



Items Supplied in the box

nCounter Device



Power Cable 6ft (2m).
Various lengths available.



USB Power Adapter

Country specific plugs
and compliance.



Optional nCounter Solar Power Kit

includes solar panel, bracket, rechargeable battery, cables & connectors